


PRODUCT NAME:

DUCT TAPE 50MM X 50MTR - BLACK

PRODUCT CODE/S:

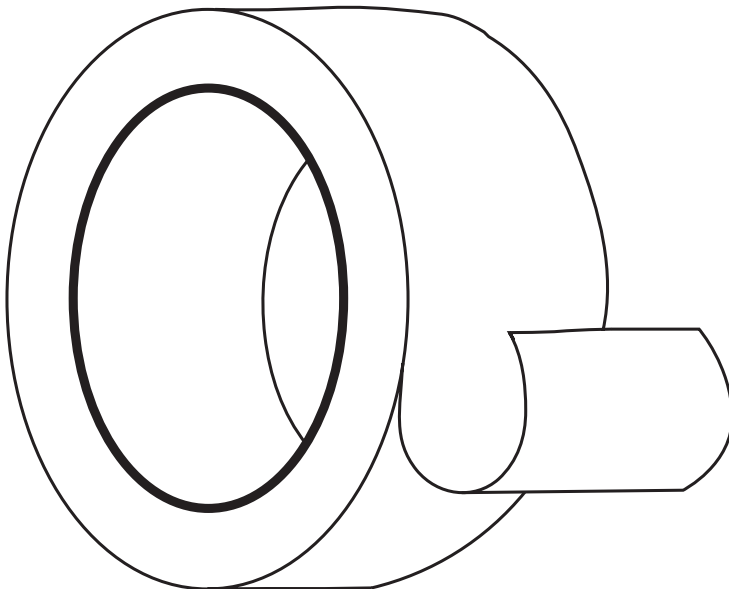
AT28B

KEY FEATURES:

Taking textile fiber cloth as the backing material and coated with hot melt glue, Cloth duct tape is designed for the reinforced protection of various pipes and objects. The combination of thick adhesive, strong webbed backing and water proof all weather PE film make this tape consistently sticks to rough or uneven surfaces, indoors or outdoors.

USES

Cloth Duct tape is a very perfect all-purpose tape, it can be used for Repairing, Bundling, Securing, Sealing and Protecting: such as taping damaged pipes, sealing gaps and pipe

DETAILS:


MATERIAL:	PE + CLOTH FIBER + HOT MELT GLUE
THICKNESS:	35MESH (0.18MM),
LENGTH:	50M, ETC.
WIDTH:	50M
COLORS:	GREY, BLACK COLOR
BOX QTY:	36

STORAGE

STORE UNDER NORMAL CONDITIONS OF 70°F (21°C) AND 50% R.H. IN THE ORIGINAL CARTON.