



PRODUCT NAME:

LOW DENSITY SPONGES (BOX QTY 27)

PRODUCT CODE/S:

100MM X 70MM X 25MM: PPA035, PPA036

KEY FEATURES:

- Open cell polyurethane foam tape, Moisture Proof, Weather Proof, Corrosion Resistance, Shock-Absorbing, Sound Insulation, Anti-Skidding, and Flame Retardant.
- The Weather Stripping can quickly return to original shape after press, Good Resilience Can Effectively Sound Absorption, But Also to Protect the Equipment from Injury, Extend the Service Life.
 - Widely Used in Various Furniture, Cabinets, Speakers, Toy, Handicraft, DIY, Sports Equipment, On cars, trucks and boats, construction sector, electronics Industry, etc

MATERIAL:

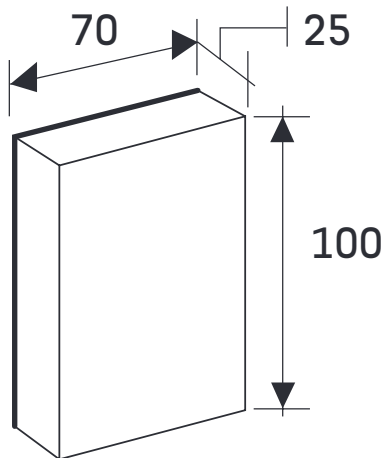
Aluminium Oxide

This man-made material is suitable for shaping, sanding and polishing hard metal such as iron and steel, but also effective on timber. Aluminium oxide cuts much faster and lasts longer than glass or garnet.

It is available on non-waterproof, cloth or waterproof backings.

SIZE CHART

GRADE	CODES	SIZE	APPLICATION
MED/FINE	PPA035	100MM X 70MM X 25MM	FINISHING
MED/COARSE	PPA036	100MM X 70MM X 25MM	MATERIAL REMOVAL



STORAGE

IT IS RECOMMENDED THAT ALL COATED ABRASIVE PRODUCTS SHOULD BE STORED AT CONSTANT LEVELS OF TEMPERATURE AND HUMIDITY WITHIN THE RANGES OF 18-22°C, 50-65% RH. THEY SHOULD BE KEPT AWAY FROM DAMP (OR COLD) WALLS, WINDOWS OR FLOORS TO AVOID POSSIBLE MOISTURE ABSORPTION. EQUALLY STORAGE ADJACENT TO HEAT SOURCES E.G. STEAM PIPES, RADIATORS, HOT AIR DUCTS, OVENS, ETC.,

