



### PRODUCT NAME:

KNOTTED WIRE BRUSH M14

### PRODUCT CODE/S:

WB19: 100MM

### KEY FEATURES:

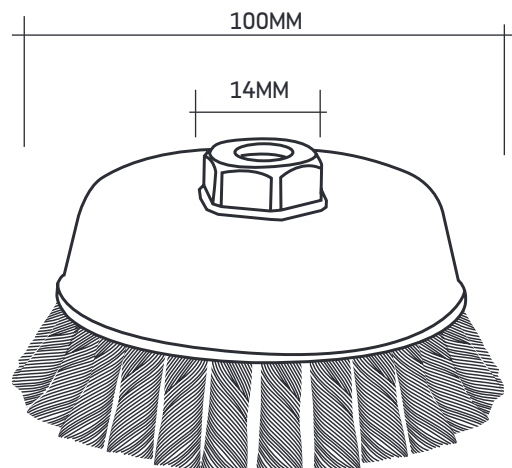
The wire cup brush is made of thickened steel and a large hexagonal thread of 10 strengths to avoid the occurrence of steel wire flying and breaking during heavy work, and the weight ratio is passed. Precise calculations provide excellent balance and stability  
 Angle grinder grinding brush uses 0.020in high-strength hardened carbon steel wire has 4 times better performance than the others in the market, and has perfect knotting integrity. Compared with similar products, it has longer service life, safety, smoothness and ease of use. Eg, the wire will not be lost and bent even during intense use  
 threaded shank for easy and smooth removal of severe corrosion, rust, paint, spatter and scale, while cleaning the edges of the weld to remove burrs  
 It can be used for surface adhesion treatment before painting, spray coating and electroplating. It can also be used for surface paint peeling and grinding. Can Handle a Variety Of Surfaces: Twist knot wire wheel cup brush is suitable for materials such as metal, wood and other materials that require heavy processing  
 The thick knotted cup brush is with a CUP design which is ideal for heavy-duty, aggressive surface conditioning on expansive surface area and also provide more flexibility and avoid scratches on metal surface

### MATERIAL:

Brass dipped crimp steel wire brushes

### SIZE CHART

SIZE	CODE	ARBOR HOLE	WIRE SIZE	SUITABLE FOR
100MM	WB19		0.30MM	Rust, Metal & Paint



KNOTTED WIRE

### STORAGE

IT IS RECOMMENDED THAT ALL COATED ABRASIVE PRODUCTS SHOULD BE STORED AT CONSTANT LEVELS OF TEMPERATURE AND HUMIDITY WITHIN THE RANGES OF 18-22°C, 50-65% RH. THEY SHOULD BE KEPT AWAY FROM DAMP (OR COLD) WALLS, WINDOWS OR FLOORS TO AVOID POSSIBLE MOISTURE ABSORPTION. EQUALLY STORAGE ADJACENT TO HEAT SOURCES E.G. STEAM PIPES, RADIATORS, HOT AIR DUCTS, OVENS, ETC.,

