



PRODUCT NAME:

15MT X 240V X 13A CABLE REEL

PRODUCT CODE/S:

CR115

KEY FEATURES:

A DURABLE, HIGH-CAPACITY CABLE THAT IS SUITABLE FOR A VARIETY OF ELECTRICAL APPLICATIONS. A VOLTAGE RATING OF 240 VOLTS, WHICH IS COMMON FOR MANY ELECTRICAL SYSTEMS, INCLUDING RESIDENTIAL AND COMMERCIAL POWER DISTRIBUTION.

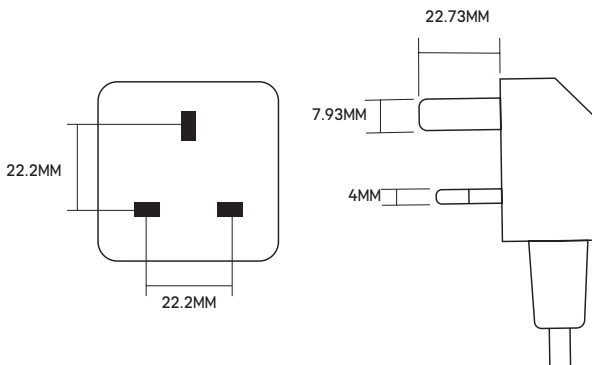
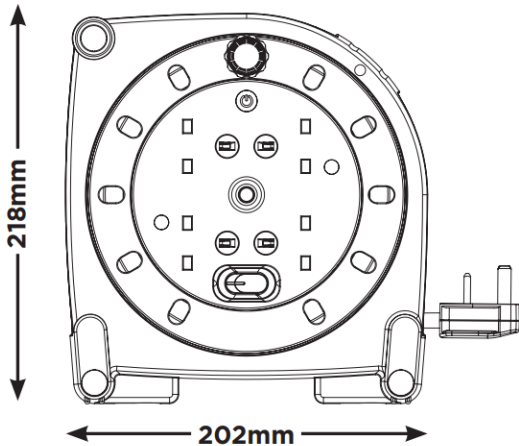
AN AMPACITY OF 13 AMPS, WHICH INDICATES THE MAXIMUM AMOUNT OF CURRENT THAT THE CABLE CAN SAFELY CARRY WITHOUT OVERHEATING OR BECOMING DAMAGED.

A COMPACT, PORTABLE DESIGN THAT ALLOWS FOR EASY STORAGE AND TRANSPORTATION.

A MECHANISM FOR REELING AND UNREELING THE CABLE, WHICH HELPS TO KEEP IT ORGANIZED AND PREVENT TANGLING.



DETAILS:



CABLE LENGTH	15 M
CABLE THICKNESS	1.24 mm ²
SOCKETS:	4
SOCKET TYPE	TYPE G - BRITISH
VOLTAGE	220/240
MAX. LOAD FULLY UNWOUND:	13AMP
POWER RATING	1000W (wound) 3000W (unwound)
USB PORTS	2 x USB sockets (5V)
THERMAL CUTOFF PROTECTION	Yes
PLUG TYPE	3-pin UK plug
IP RATING	IP20 (protection against solid objects)
REWIND MECHANISM	Manual winding system for cable storage 3000W

STANDARDS

CE IP20