



**PRODUCT NAME:**

**4 WAY DISTRIBUTION BOX**

**PRODUCT CODE/S:**

**4WDB**

**KEY FEATURES:**

- 4-Way 110V distribution box has been specifically built to withstand the rigours of the construction industry.
- The elite range of splitter boxes allow a single power source to be split and distributed through various outlets, perfect for site use.
- Strong Steel cased splitter box which allows you to turn a 16amp 110v outlet into 4 16amp outlets.



**PRODUCT NAME:**

**4 WAY DISTRIBUTION BOX INCLUDES 2 USB**

**PRODUCT CODE/S:**

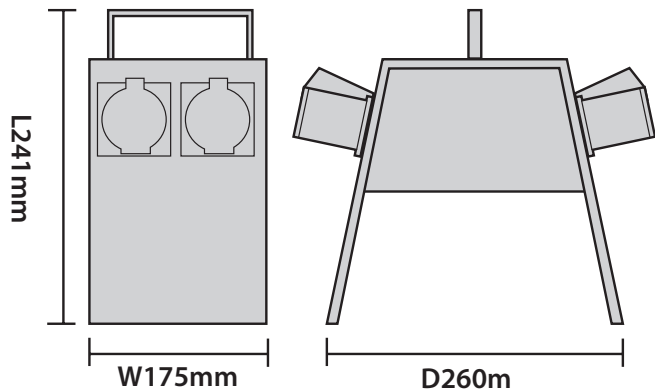
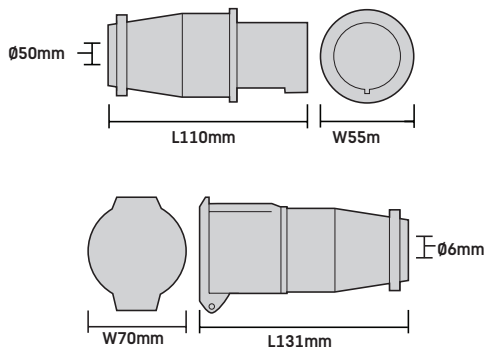
**4WDBUSB**

**KEY FEATURES:**

- 4-Way 110V distribution box has been specifically built to withstand the rigours of the construction industry.
- The elite range of splitter boxes allow a single power source to be split and distributed through various outlets, perfect for site use.
- Strong Steel cased splitter box which allows you to turn a 16amp 110v outlet into 4 16amp outlets.
- Includes 2 USB Ports

**DETAILS:**

INPUT VOLTAGE	110 VOLT
INPUT PLUG	16 AMP
OUTPUT VOLTAGE	110 VOLT
OUTPUT SOCKETS 16 AMP	4X16 AMP
POWER CABLE LENGTH	2 M
POWER CABLE DIAMETER	1.5 MM
HEIGHT	24 CM



**STANDARDS**

**CE IP44**