



PRODUCT NAME:

10KVA 3PHASE TRANSFORMER

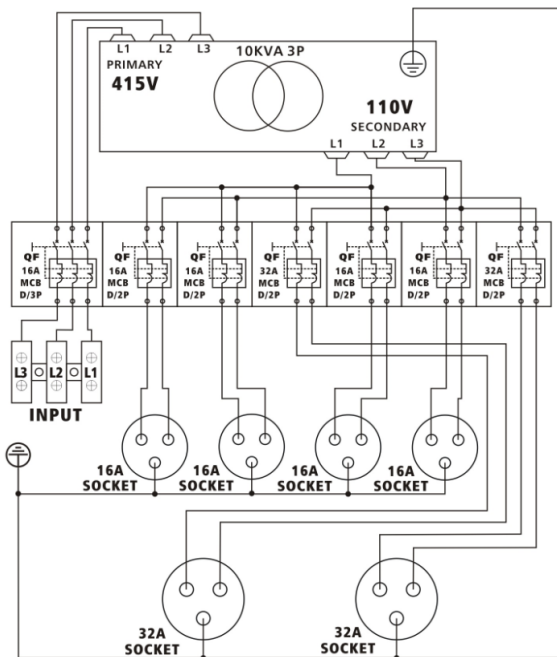
PRODUCT CODE/S:

T103PHASE

DETAILS:

POWER	10KVA
INPUT VOLTAGE	AC 415V
OUTPUT VOLTAGE	AC 110V

Type	ISOLATION	
	Product	10KVA 3PHASE TRANSFORMER
Model No.	10000/3PH	
Safety Level	Class I	
IP Level	IP44	
MATERIAL	CASE	METAL
	LID	METAL
Electrical	Input Voltage	415V AC THREE PHASE
	Output Voltage	110V AC
	Frequency	50/60Hz
	Cont. Rating	7000VA
Output Sockets	4x110V 16Amp 2P+E, IP44 rated to EN 60309	7500VA
	2x110V 32Amp 2P+E, IP44 rated to EN 60309	10000VA
Protection MCB	Input	16amp 3 pole type D MCB
	Output	4x16amp+2x32amp by 2 pole type D MCB's
Carton Box Dimension	Quantity of each Carton	1
	Net Weight	78 kg
	Gross Weight	80 kg
	Outer Box Dimension	54x51x71cm
	Net Weight	61kg
	Gross Weight	62.4kg
Outer Box Dimension	47X42X68cm	



STANDARDS

CE IP23 IP44