
PRODUCT NAME:
4 WAY DISTRIBUTION BOX
PRODUCT CODE/S:
4WDB
KEY FEATURES:

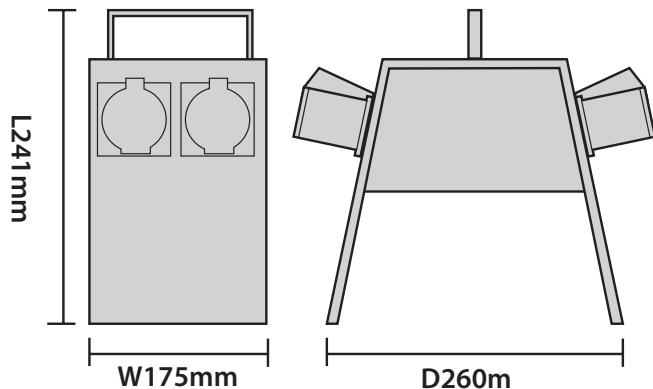
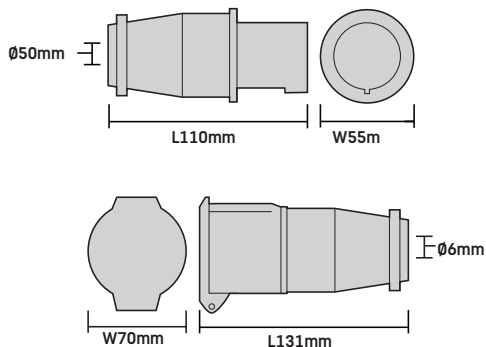
- 4-Way 110V distribution box has been specifically built to withstand the rigours of the construction industry.
- The elite range of splitter boxes allow a single power source to be split and distributed through various outlets, perfect for site use.
- Strong Steel cased splitter box which allows you to turn a 16amp 110v outlet into 4 16amp outlets.


PRODUCT NAME:
4 WAY DISTRIBUTION BOX INCLUDES 2 USB
PRODUCT CODE/S:
4WDBUSB
KEY FEATURES:

- 4-Way 110V distribution box has been specifically built to withstand the rigours of the construction industry.
- The elite range of splitter boxes allow a single power source to be split and distributed through various outlets, perfect for site use.
- Strong Steel cased splitter box which allows you to turn a 16amp 110v outlet into 4 16amp outlets.
- Includes 2 USB Ports

DETAILS:

INPUT VOLTAGE	110 VOLT
INPUT PLUG	16 AMP
OUTPUT VOLTAGE	110 VOLT
OUTPUT SOCKETS 16 AMP	4X16 AMP
POWER CABLE LENGTH	5 M
POWER CABLE DIAMETER	2.5 MM
HEIGHT	24 CM


STANDARDS
CE IP44