

**PRODUCT NAME:**

38W TASK LIGHT

PRODUCT CODE/S:

EL2177 - 110V

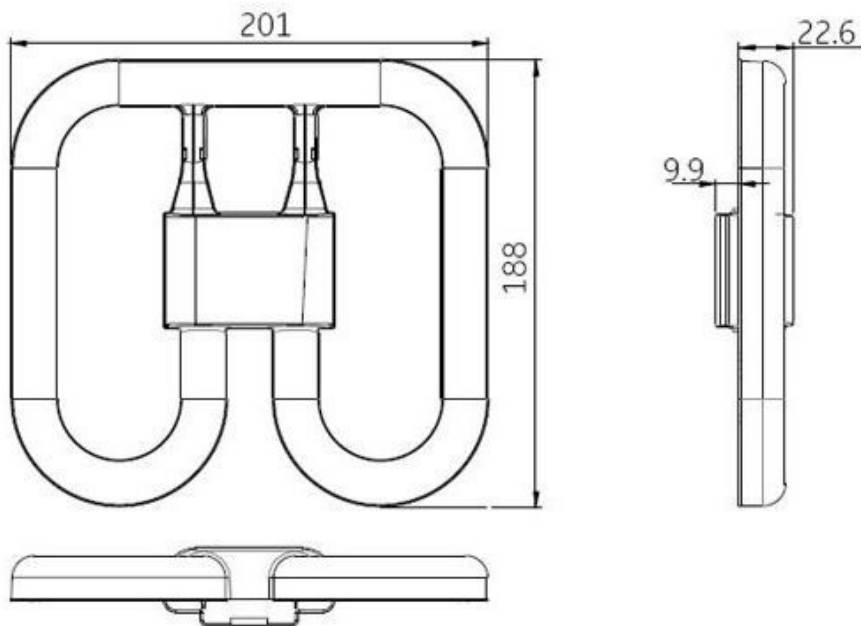
EL2172 - 220V

KEY FEATURES:

TASK LIGHT 110V WHITE IS A LOW ENERGY, HIGH OUTPUT 2D TUBE WITH HIGH-INTENSITY REFLECTOR PROVIDES GLARE-FREE BRIGHT LIGHT THAT IS IDEAL FOR USE ON SITE, INDUSTRIAL AND DOMESTIC, DIY TASKS.

ONSISTS OF TOUGH POLYCARBONATE LENS AND ABS BODY WITHSTAND KNOCKS AND DROP. THE LAMP CAN BE FIXED ON TRIPOD, ALSO PORTABLE FOR EASY USE. COMPACT FLUORESCENT TUBE PROVIDES HIGH LUMINANCE WHILE BRINGING LOW RADIATED HEAT.

BODY IS MADE OF HIGH IMPACT RESISTANT PLASTIC AND THE HANDLE CAN BE ADJUSTABLE.

DETAILS:**STORAGE****CE IP65 LED**